

# Download File PDF Wiring Diagram Suzuki Rc 100

#Jenny



Finally I get this ebook, thanks for all these I can get now!

#Rio



Cool! I'am really happy

#Markus Jensen



I did not think that this would work, my best friend showed me this website, and it does! I get my most wanted eBook

#Hun Tsu



wtf this great ebook for free?!

#Che Salsa



My friends are so mad that they do not know how I have all the high quality ebook which they do not!

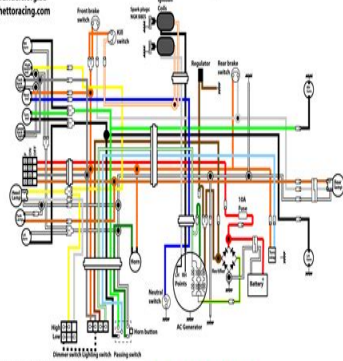
#Diego Butler



so many fake sites. this is the first one which worked! Many thanks

## Suzuki GT250(A) Wiring Diagram

canberriders.org.au  
teamgettoracing.com



### Wiring codes, uses and colours

Orange switched power, #FF6600  
Red permanent power, #FF0000  
Red/green trace voltage regulated power, #FF0000#008000  
Orange/white trace power from CDI unit, #FF0000#FFFFFF  
Black/white trace ground, #000000#FFFFFF  
Yellow high beam, #FFD700  
Black indicators (L indicators for bulbs, RH coil, #000000  
Light green indicators (L), #00FF00  
Brown tail light, #D2691E  
Blue neutral light, #0000FF  
Light blue indicator-banking power, #00CEFF  
Gray Lighting signal, #808080  
White Low beam, LH coil, brake light, #CCCCCC  
Yellow/green trace: AC power from magneto, #FFFF00#008000  
Green/white trace: Lighting from magneto light coils, #008000#FFFFFF

[Download PDF version of :](#)  
**Wiring Diagram Suzuki Rc 100**